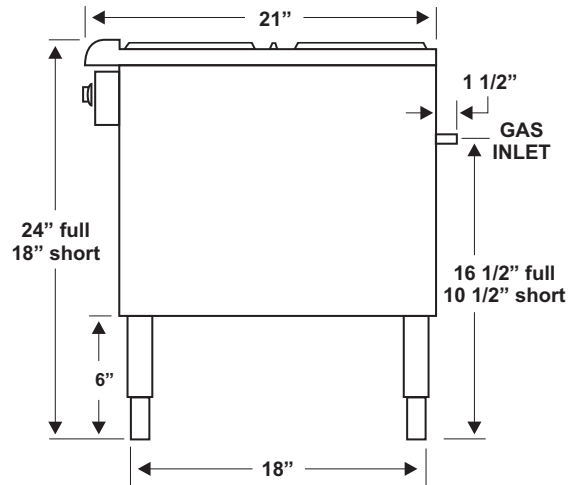
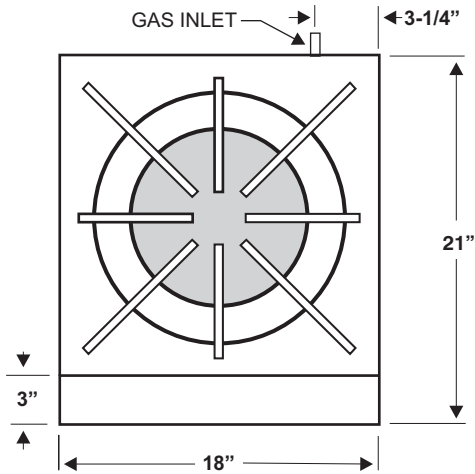


# Model CSP Stock Pot Stove



Model	Width	Depth	Height	BTU	Burner	Wt. (Est.)*
CSP-18-3	18"	20-1/2"	24"	90,000	3-ring	105
CSP-18-3S	18"	20-1/2"	18"	90,000	3-ring	100

\*Note: Weight estimates are uncrated

## Product Specifications:

<b>Body:</b>	18 Gauge #304 Stainless Steel, Fully Welded
<b>Front:</b>	Removable 18 Gauge #304 Stainless Steel Panel
<b>Grate:</b>	Heavy Duty Painted Cast Iron w/ "Center-Slope" hole
<b>Burners:</b>	3-ring 90,000 BTU (total) Cast Iron
<b>Drip Pan:</b>	18 Gauge #304 Stainless Steel
<b>Valves:</b>	Heavy Duty Brass
<b>Gas Inlet:</b>	3/4 NPT
<b>Gas Pressure:</b>	4.0" Natural, 11.0" Propane (Inches Water Column)
<b>Legs:</b>	1-5/8" rd. X 16 Gauge #304 Stainless Steel tubing welded to frame with Stainless Steel undershelf and adjustable feet.

## Available Options:

- Stainless Steel Wok Adapter Ring

## Notes:

Gas Pressure Regulator is supplied and must be installed  
 Non-Combustible Locations Only: 0" Clearance sides and back  
 Specify type of gas and altitude if over 2,000 feet

Connerton reserves the right, without notice, to make changes and revisions in product specifications, materials and design, which in our opinion will provide better performance, durability and efficiency.

# Connerton

Telephone: (714) 547-9218

Fax: (714) 547-1969

# CONNERTON

American Made Since 1936

## Model CSP Stock Pot Stove

Date:

Project:

Quantity:



CSP-18-3S Short Body



CSP-18-3 Standard Body

**90,000 BTU**

**Welded #304 Stainless Steel**

For easy cleaning and long life

**Fully Welded Legs**

#304 stainless steel legs welded to frame



## Connerton

5199 E. Pacific Coast HWY Suite# 310 Long Beach, CA 90804

Telephone: (714) 547-9218 Fax:(714) 547-1969

[www.connertoncooking.com](http://www.connertoncooking.com)