

CONNERTON

American Engineering Since 1936

Equipment Stands

Date:

Product:

Quantity:



#304 Stainless Steel

Easy cleaning and long life

Knock-down Model

For shipping and storage

Welded Model

For strength & stability

CONNERTON

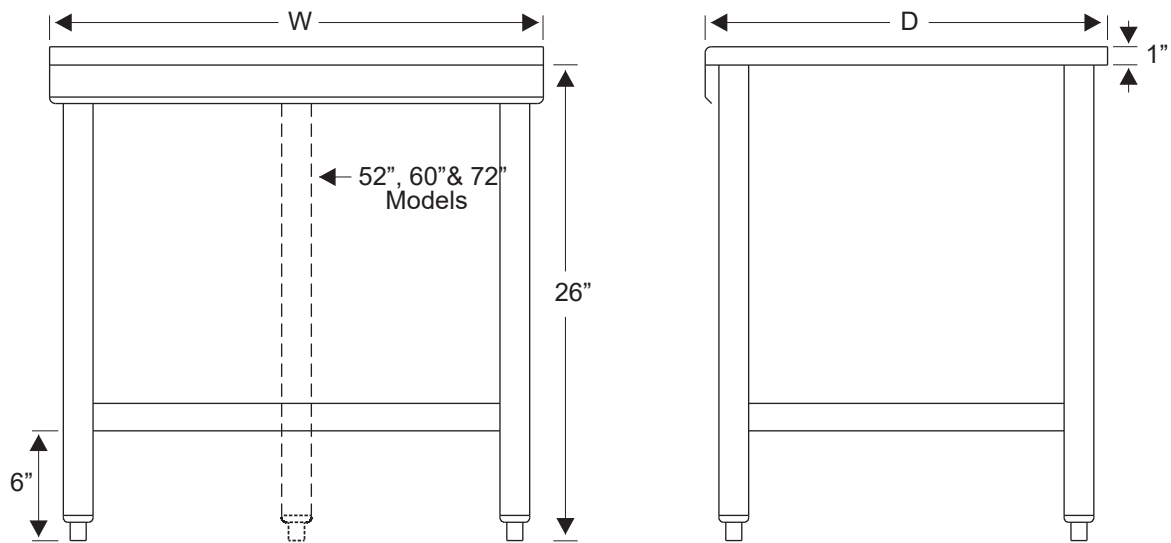
 11990 Rivera Rd, Santa Fe Springs, CA 90670

 Telephone: (562) 464-9901, (714) 547-9218

 Fax: (714) 547-1969

 connertoncooking.com

Connerton Equipment Stands



28-Inch Depth

MODEL	WIDTH	DEPTH	WEIGHT	W/CASTERS
CES-28-12	12"	25"	23 lbs	28 lbs
CES-28-18	18"	25"	28 lbs	33 lbs
CES-28-24	24"	25"	32 lbs	37 lbs
CES-28-30	30"	25"	38 lbs	43 lbs
CES-28-36	36"	25"	52 lbs	57 lbs
CES-28-42	42"	25"	58 lbs	63 lbs
CES-28-48†	48"	25"	64 lbs	69 lbs
CES-28-60†	60"	25"	83 lbs	90 lbs
CES-28-72	72"	25"	100 lbs	107 lbs

Notes

- All models feature 26" height, 1" lip on sides and back
- 16 gauge stainless steel
- Add 'K' suffix to model # for knock-down version
- 4 legs standard - six legs available on all models for an additional cost
- Customized heights available